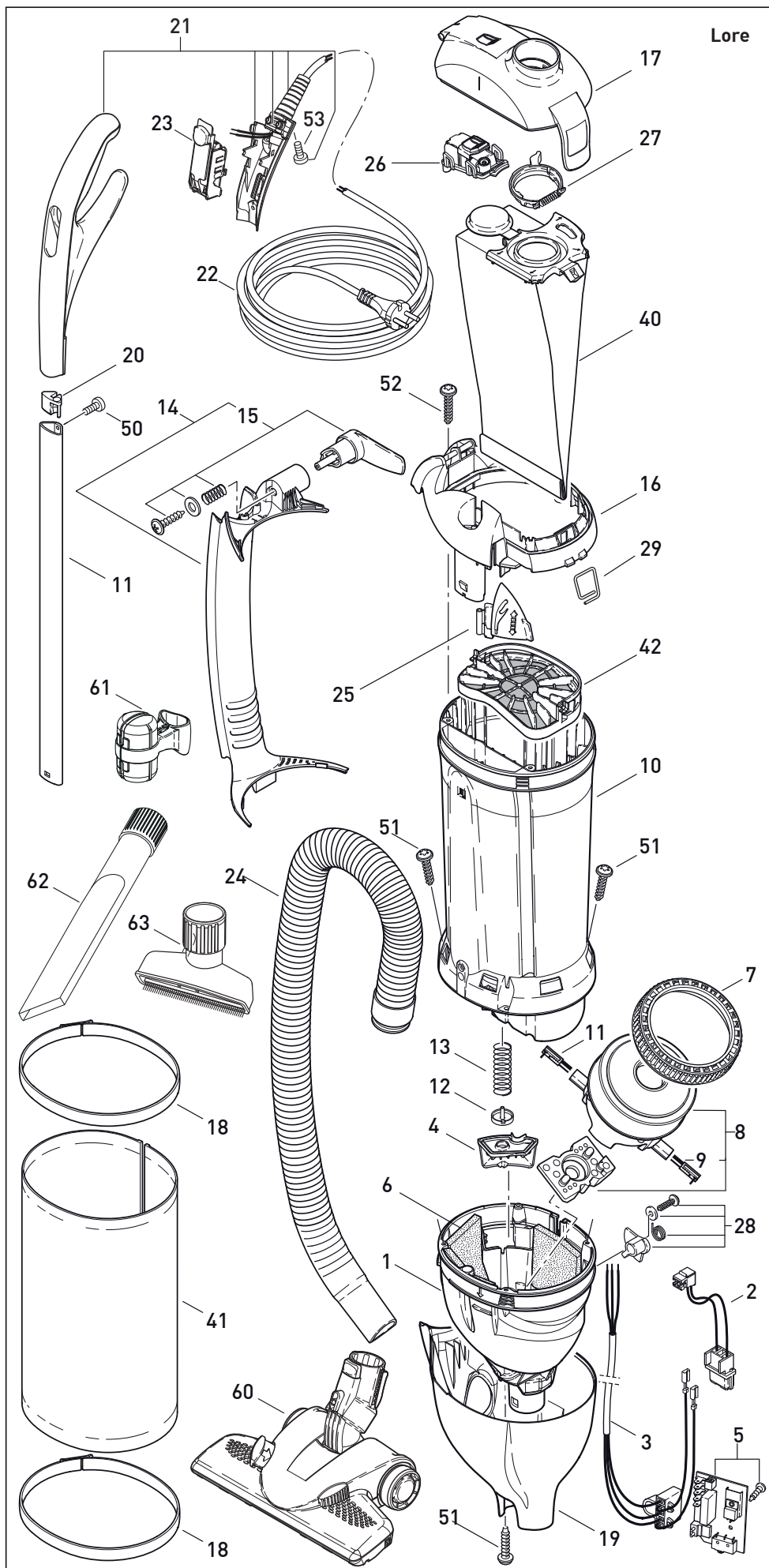


This information is intended for Europe (220-240V) only and does not apply for North America



SEBO FELIX 1 PREMIUM PEARL

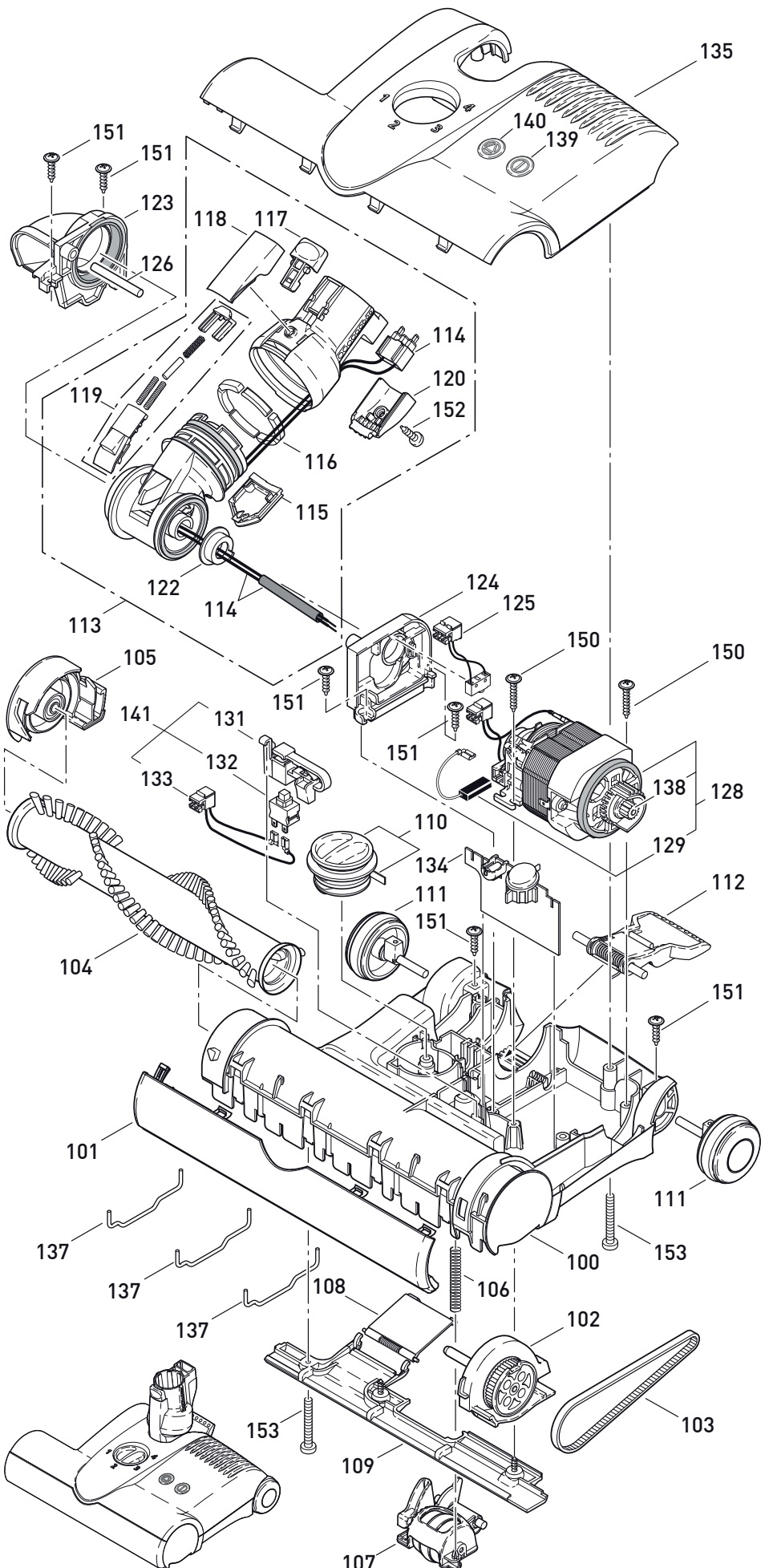


Pos.	Product Code	Description
1	7078GS	Air duct
2	7064	Internal wiring ET
3	7071	Internal cable
4	7056GS	Valve cover
5	7107ER	Printed circuit board 230-240V, Type 3
6	7098	Sound insulation
7	1047	VAC motor seal
8	7046ER	VAC motor, 220-240V, 700W
9	05143S	Pair of carbon brushes
10	7143ER	Dust bag housing
11	7081ER	Handle tube
12	7025	Valve disc
13	7028ER	Valve spring
14	7090we	Hose duct, arctic white
15	7027WE	Cable hook, arctic white
16	7093we	Cover, Dust bag housing
17	7091we	Filter cover, arctic white
18	7017SB1	Exhaust filter clamp light grey
19	7159weSE	Lower housing, arctic wht
20	7076gs	Tube plug
21	7164WE	Handle grip, cpl.,arctic wht
22	7128dg	Cable with Contour-plug
23	7038WE	Switch assembly cpl., arctic white
24	7050sb	Hose cpl., silver
25	7082WE	Release button, arctic wht
26	7094ER	Filterindicator, cpl.
27	7018OR	Retaining ring cpl.
28	7032ER	Switch lever, kpl.
29	7024ER	Spring
40	7029ER	Dust bag box
41	7095ER04	Elektret Exhaust filter Decor „PLATINUM“
42	7012ER	Motor protection filter
50	0127ER	Screw M 4x10K
51	01016ER	Screw STS 4x16-T20
52	01017ER	Screw STS 4x20-T20
53	01036ER	Screw 4 x 14
60	7260GS 7248ER	SEBO KOMBI, grey black Brush Strip Set for SEBO KOMBI
61	7097we	Attachment clip,arctic white
62	1092JE	Crevice Nozzle,light grey
63	1491JE	Upholstery Nozzle, light grey
64	1084/1gs	Extension tube, grey black

This information is intended for Europe (220-240V) only and does not apply for North America



SEBO FELIX 1 PREMIUM PEARL



Pos.	Product Code	Description
100	2324gs	Chassis ET1, grey black
101	2302gs	Bumper, cpl., grey black
102	2314gs	Bearing block, left cpl.
103	2923	Toothed Belt, 333 3M HTDII-6
104	5010ER	Brush roller, cpl.
105	2313gs	Bearing block, right cpl.
106	2929	Spring
107	2316gs	Pile adjustment assembly compl., grey black
108	2909VO	Access door ET
109	2304gs	Rear bottom plate cpl. grey black
110	2931SB	Pile adjustment button, silver
111	2306GS	Wheel, cpl., grey black
112	2937OR	Foot pedal, orange
113	2307gs	Swivel neck assembly compl., grey black
114	0876ER	Wiring swivel neck
115	2947GS	Cover, grey black
116	2950ER	Segments, TS-neck
117	6480ER	Release button, grey bl.
118	2952gs	Button cover, grey black
119	2945GS	Swivel neck slide, grey bl.
120	2951GS	Socket cover, TS-neck
122	2954	Swivel neck bearing
123	2311	Swivel neck support, right
124	2312	Swivel neck support, left
125	0880	Wiring swivel neck switch
126	2928	Axle
128	2975ER	Brush motor 230/240 V, 175W
129	05141S	Pair of carbon brushes
131	2958ER	Lever
132	05114	Switch 1-pole
133	0881	Wire
134	2686ER	Printed circuit board ET1-175W
135	2331weSE	Power head cover ET1, arctic white
137	5402	Wire tie
138	2319	Motor pulley
139	2957dg	Lens switch
140	2956	Lens right
141	2959ER	Switch cpl.
150	01020ER	Screw F 3,9x21
151	01021ER	Screw F 3,9x13
152	01027ER	Screw F 3,9x9,5
153	0176ER	Screw AM 4x30